




Datasheet

EduLED Batten

CAT NO. 682450, 682450D



Cat No	682450	682450D
Weight (kg)	4.0	
Nominal luminaire luminous flux (lm)	4,000	
Colour temperature (K)	4,000	
Chromaticity tolerance	ANSI ANSLG C78.377: 3985K±275 MacAdam Ellipse: 3SDCM	
Nominal circuit power (W)	45	
Power factor	>0.95	
Supply voltage	240V 50Hz	
Driver type	Fixed output/ Non-dimmable	DALI Dimmable (1-100%)
Operating temperature	0°C to 25°C	
Body construction	Aluminium – powder coated white	
End caps	White ABS	
Diffuser	Opal Polycarbonate	
Impact rating	IK04	
Compliance	AS/NZS 60598   	

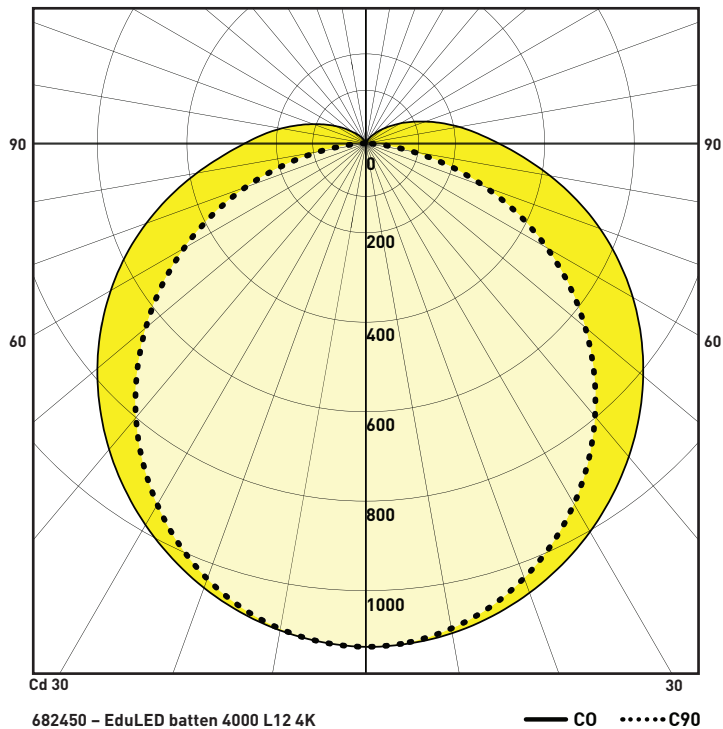
EduLED Batten

CAT NO. 682450, 682450D

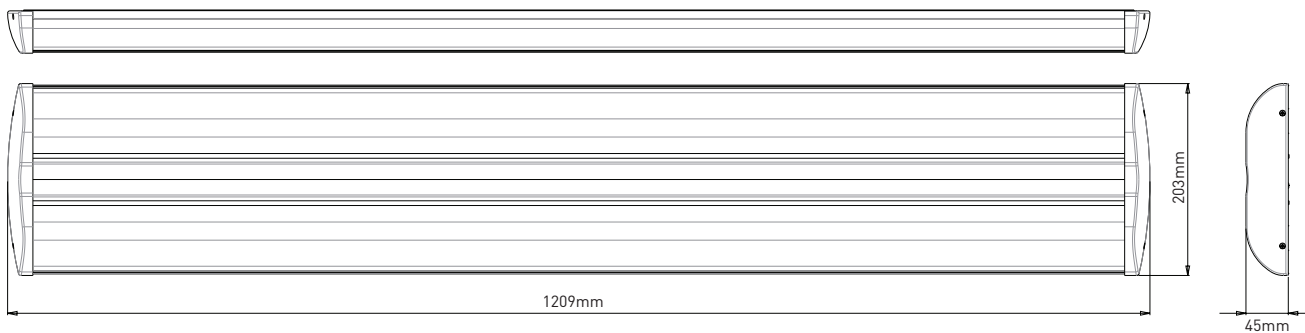


- 4,000 lumen output
- 4000K colour temperature
- L70 @ 50,000 hours
- CRI > 80
- Mains or DALI options
- IK04 impact rating
- Screwed endcaps for improved vandal resistance
- Manufactured in Australia

POLAR CURVE



DIMENSIONS



Legrand Australia
1300 369 777
www.legrand.com.au
ABN 31 000 102 661

Legrand New Zealand
0800 476 009
www.legrand.co.nz

Refer to your group buying office, Legrand Sales Representative or Legrand Sales Office for pricing.

HPML1671_B

03_2018