



Rotary LED Dimmer
PDL354RDMLED-VW

Rotary Universal Dimmer
PDL354RDMUN-VW

40 Series Module

Life Is On



by Schneider Electric

- 1 Follow the installation instructions
- 2 Set up the Dimmer

Load compatibility

	Dimmable LED	350 W
	Non-dimmable LED	Not compatible
	Incandescent/Halogen	350 W
	LV halogen with electronic transformer	350 W
	LV halogen with iron-core transformer	350 W *
	Dimmable Linear Fluorescent Lamps	150 W
	Non-Dimmable Linear Fluorescent Lamps	Not compatible
	Dimmable compact fluorescent	150 W
	Non-dimmable compact fluorescent	Not compatible*

* Universal dimmer compatible, but not the Rotary LED Dimmer

Derating

Dimmers per plate	Max load
1	350 W
2	250 W
3	150 W

Note: Consider using 31LCDA Load Correction Device for difficult to dim loads.



NVE64045

For your safety

⚠️ DANGER

HAZARD OF ELECTRIC SHOCK, EXPLOSION, OR ARC FLASH

- This product must be installed and serviced by appropriately qualified and/or licenced electrical personnel.
- Isolate the electrical supply before doing any work on the product.
- Ensure that the product has been correctly installed and tested for safe operation before reconnecting the electrical supply.
- The Locking Bar on grids must be set to the Closed position to ensure that the mechanism cannot be removed during normal operation.
- This product must be installed downstream of a switch.

Failure to follow these instructions will result in death or serious injury.

⚠️ CAUTION

EQUIPMENT DAMAGE HAZARD

- Install the device according to instructions in this document.
- Pay attention to the specifications and wiring diagrams related to the installation.
- Do not use this product for any other purpose than specified in this instruction.
- Dropping the device may damage the mech. Check device operates after being dropped or if physical damage is shown.

Failure to follow these instructions can result in injury or equipment damage.

NOTICE

EQUIPMENT DAMAGE HAZARD (LOAD AND OPERATION)

- Operation of units at elevated temperatures or voltages outside of specification (240 V a.c. and 25 °C) may cause the over-temperature protection circuitry to operate. Operating with significant overload may cause the thermal fuse to blow and render the unit inoperable.
- Reduce the size of the connected load or use a different brand of lamp to prevent recurrence.
- Do not operate the product for prolonged periods in extreme conditions.

Failure to follow these instructions can result in equipment damage.

NOTICE

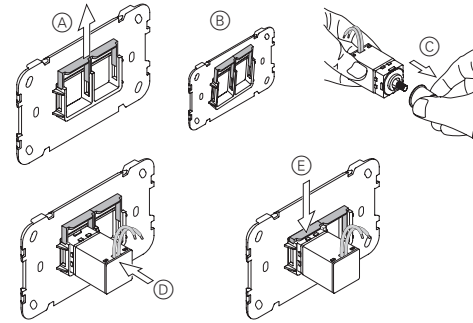
MAXIMUM LOAD RATINGS APPLY

Ensure that the number of Low Voltage Lighting Transformers connected to a single Dimmer does not exceed the maximum load rating of the unit.

Failure to follow these instructions can result in equipment damage.

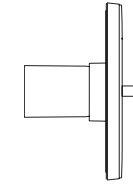
Installation

Fitting the dimmer to the plate

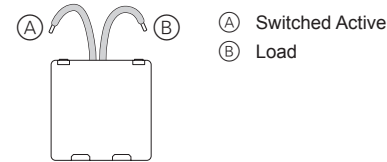


Wall depth

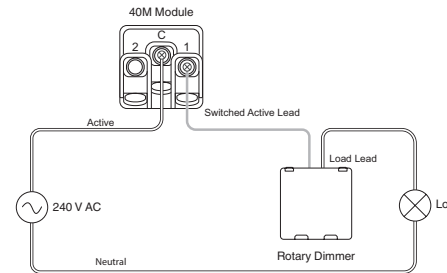
Min 39 mm



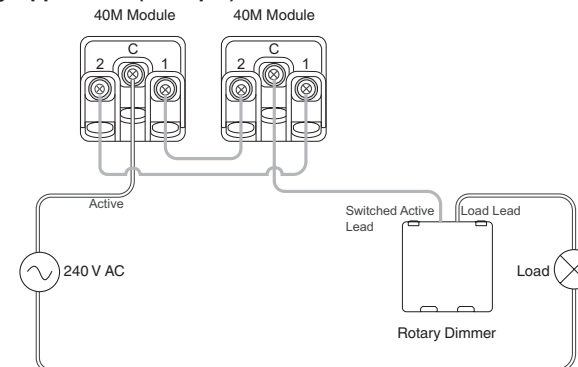
Cabling and connections



One-Way Application (example)



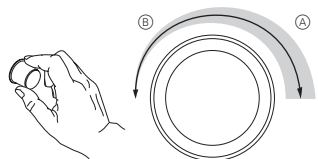
Two-Way Application (example)



Note:
All Active connections must be on the same phase.

A Active
N Neutral
L Load

Dimming and Brightening

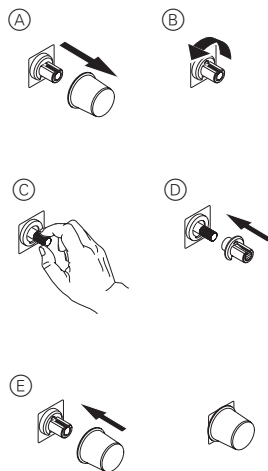


With the light switched On:

- ① Turn the knob clockwise (A) to brighten the light.
- ② Turn the knob counter-clockwise (B) to dim the light.

Adjusting the Minimum Brightness Level

- ① Remove skin, then remove the knob from the shaft (A).
- ② Remove the adapter. If the adapter remains on the shaft, rotate anti-clockwise until it stops (B). Hold the adapter so the key-way of the adapter aligns with the slot in the body, then pull to remove the adapter.
- ③ Switch the light On.
- ④ Rotate the shaft until the desired **minimum** light level is reached (C).
- ⑤ Hold the adapter so the key-way of the adapter aligns with the slot on the mechanism surround, then slide the adapter onto the shaft (D), ensuring that the key of the adapter engages with the slot on the mechanism surround.
- ⑥ Push the knob onto the adapter (E) ensuring that the flat keyway on the knob aligns with the flat keyway on the adapter. Then press the end of the knob until the knob is firmly seated on the adapter.



Advanced Load Handling Facilities

The universal dimmer incorporates patented dimming technology, including advanced, intelligent features to help ensure that the connected load is handled appropriately.

Dimming Mode Selection

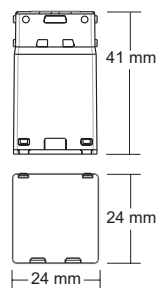
The Universal Dimmer (42E350RUD2M-VW) is capable of driving a wide range of load types, depending on the model. Upon power-up, the unit selects the correct dimming method to suit that load (Leading or Trailing Edge Phase Angle Control).

Overload Protection Facilities

The rotary dimmers have a number of mechanisms to reduce the risk of damage in the case of abnormal operating conditions.

Thermal Overload Protection - Two Levels	Thermal Overload Protection Automatically reduces lamp brightness should the dimmer be inadvertently overloaded. Extreme overloads will result in the load turning Off (primary defence against overload). The Thermal Overload Protection resets automatically once overload conditions are corrected.
	Thermal Cut-Out The dimmer contains a non-resettable thermal fuse device designed to blow in case of circuit failure. This is a secondary protection measure intended to operate as a backup in case of persistent or prolonged overload conditions. If the thermal cut-out fuse blows, the unit will be rendered permanently inoperable and must be replaced. <i>Note: The thermal fuse device is not replaceable by the user.</i> Any significant overload should be avoided in order to prevent damage to the load, fixed wiring of the installation or other hardware connected to the affected circuit.
Short Circuit Protection	Designed to protect the dimmer under most abnormal operating conditions, short circuit protection helps the dimmer withstand wiring faults or failure of the load. The short circuit protection mechanism resets automatically once the short circuit condition is removed.

Dimensions



Technical data

Note: See product data sheet for full specifications. Specifications typical at 25 °C.

Operating voltage	220–240 V a.c., 50 Hz	
Load rating	Min load: 1 W Max load: 350 W	
Dimming Technique	LED Dimmer	Trailing Edge Phase Control
	Universal Dimmer	Leading Edge / Trailing Edge Phase Control (auto-selected)
Design	2-wire	
Compatible plate ranges	Iconic, Iconic Styl, Iconic Essence, Pro Series	
Colour	VW: Vivid White XW: Extra White	
Voltage Frequency Stability	Yes	
Short Circuit Protection	Yes	
Thermal Overload Protection	Yes	
Multi-gang Plate capacity	Max 3 per plate. Derate as per first page	
Environmental rating	IP20 (designed for indoor use only)	
Operating humidity	5%–90% RH, non-condensing	
Operating temperature	0–45 °C	
Compliance	AS/NZS 60669.2.1, AS/NZS CISPR-15	
There are no user serviceable parts inside		

Customer care

Warranty information



We warrant this product for 2 years, for details visit:
<https://www.schneider-electric.co.nz/en/about-us/legal/terms-and-conditions.jsp>

Schneider Electric (NZ) Ltd

Building 6, 60 Highbrook Drive, Auckland 2013

Call Customer Care: 0800 652 999

Email: sales@nz.se.com

www.schneider-electric.co.nz

Schneider Electric reserves the right to change specifications, modify designs and discontinue items without incurring obligation and whilst every effort is made to ensure that descriptions, specifications and other information in these instructions are correct, no warranty is given in respect thereof and the company shall not be liable for any error therein.

© Schneider Electric 2020

This material is copyright under Australian and international laws. Except as permitted under the relevant law, no part of this work may be reproduced by any process without prior written permission of and acknowledgment to Schneider Electric.