

CLIPSAL[®]

by Schneider Electric



LED Floodlight TPFLS Series

TPFLS10LED
TPFLS20LED
TPFLS50LED
TPFLS100LED
TPFLS20SENLED

Installation Instructions

REGISTERED DESIGN • REGISTERED PATENT

Product Range

TPFLS10LED	10 W LED Floodlight, 240 V a.c., 4000 K, IP65
TPFLS20LED	20 W LED Floodlight, 240 V a.c., 4000 K, IP65
TPFLS50LED	50 W LED Floodlight, 240 V a.c., 4000 K, IP65
TPFLS100LED	100 W LED Floodlight, 240 V a.c., 4000 K, IP65
TPFLS20SENLED	20 W LED Floodlight, 240 V a.c., 4000 K, IP44 – with PIR sensor

Installation Requirements

DANGER

RISK OF ELECTRIC SHOCK, EXPLOSION OR ARC FLASH

- This product must only be installed and serviced by appropriately qualified and/or licenced electrical personnel.
- Isolate the electrical supply before doing any work on this product.
- Ensure that the product has been correctly installed and tested for safe operation before reconnecting the electrical supply.

Failure to follow these instructions will result in death or serious injury.

CAUTION

RISK OF BURN INJURIES

During and after use, the product may be hot. Do not touch the product until it has completely cooled down.

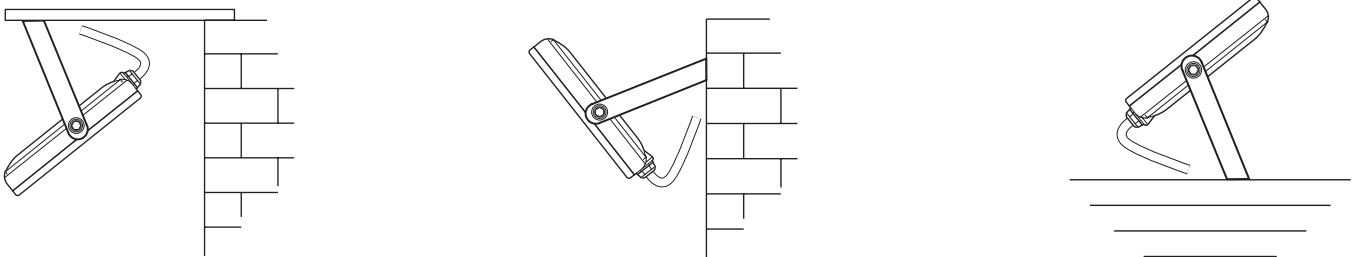
Failure to follow these instructions can result in minor injuries or equipment damage.

- The product is Class 1.
- Check whether the product has been damaged during transport. Do not operate/install any product which appears damaged in any way. Return the complete product to the place of purchase for inspection, repair or replacement.
- Take care not to pull any electrical wires during unpacking as this may damage the connections.
- Isolate the electrical supply before commencing any work on this equipment.
- Select a suitable location for installation.

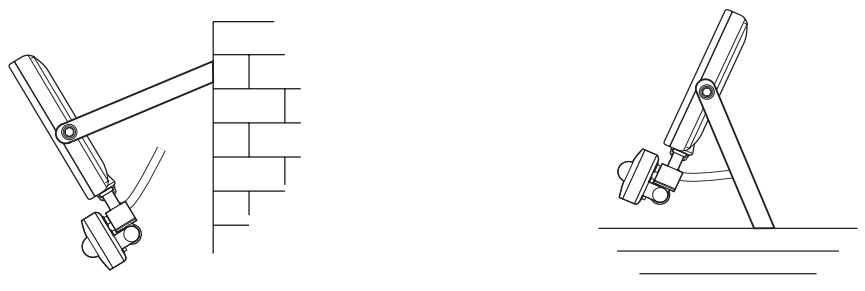
Installation Instructions

- ① Remove all packaging material from the product.
- ② Use mounting bracket to mark hole centres for fixing.
- ③ Secure mounting bracket using appropriate fasteners.
- ④ Safely terminate wiring, paying particular attention to all markings.

Mounting Options – TPFLS Series (no sensor)

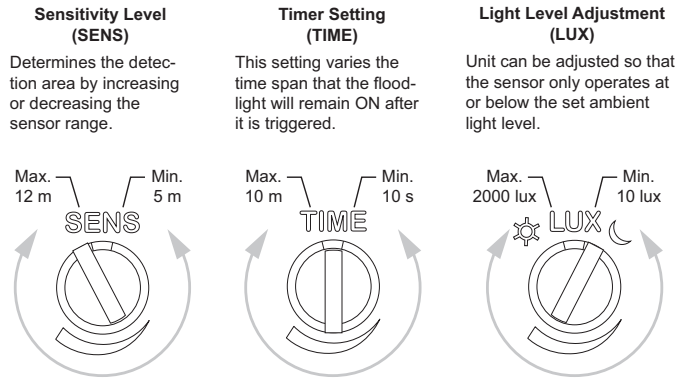
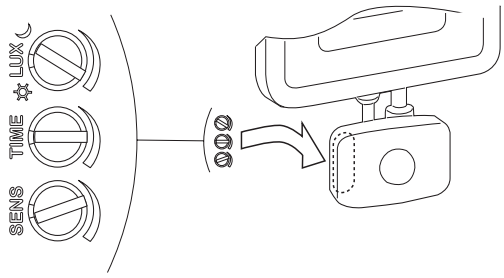


Mounting Options – TPFLS20SENLED (with PIR Sensor)

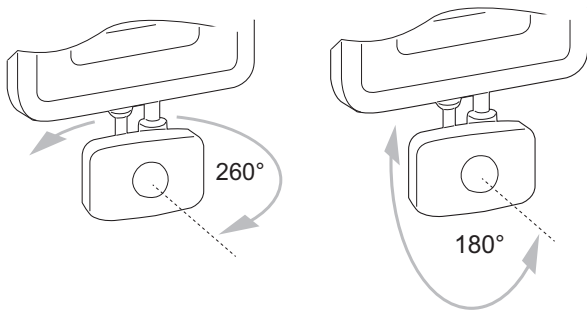


Sensor Adjustment Procedure (TPFLS20SENLED only)

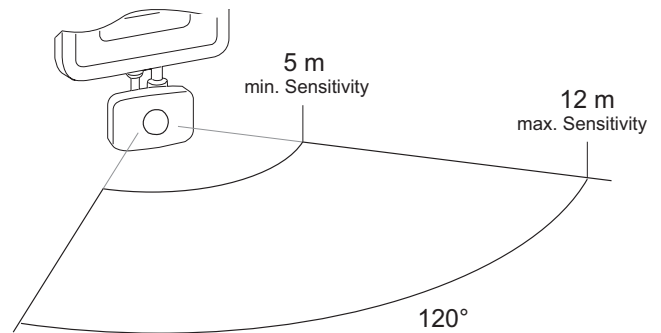
When the power is on, the unit will be able to detect movement within the adjustable sensor range. There are 3 adjustment settings on the back of the sensor unit for Light Level Adjustment (LUX), Timer Setting (TIME), and Sensitivity Level (SENS).



Sensor Alignment



Sensor Detection Area



Commissioning Procedure (TPFLS20SENLED only)

Note: When setting the TIME, LUX or SENS adjustments keep clear of the field of view when assessing the effect of the adjustment.

- ① Connect unit to mains power and allow at least 30 seconds for the unit to stabilise before making any adjustments.
- ② Set the TIME adjustment fully anti-clockwise (10 second timer).
- ③ Set the LUX adjustment to respond to light or dark conditions during commissioning.
- ④ Set SENS adjustment fully clockwise (maximum range set).
- ⑤ Aim the sensor head towards the desired field of view.
- ⑥ Walk slowly around the desired field of view to confirm if floodlight is activated from within the desired area.
- ⑦ Set SENS as desired for required range.
- ⑧ Set LUX as desired for activation at dusk.
- ⑨ Set TIME interval to desired time.

For optimum performance, please ensure the floodlight mounting height is between 2-3m.

Note: When resetting the LUX level, allow 30 seconds for the sensor to stabilise to normal operation.

Dimming

The product series is not dimmable.

Troubleshooting

Problem	Possible Cause	Possible Resolution
Light turns on for no apparent reason	Momentary power failure	None, unit will reset after a time-out
	Unseen target	Check for dogs, cats or pests
	Extreme draughts of hot or cold	None, unit will reset after a time-out
	Tree branches or bushes moved by wind	
	Vehicle or pedestrian traffic on edge of field of view	
Light turns on during daylight	Wrong setting on LUX	Reset according to Commissioning Procedure
Light does not turn on in dim or dark conditions	Wrong setting on LUX	Reset according to Commissioning Procedure

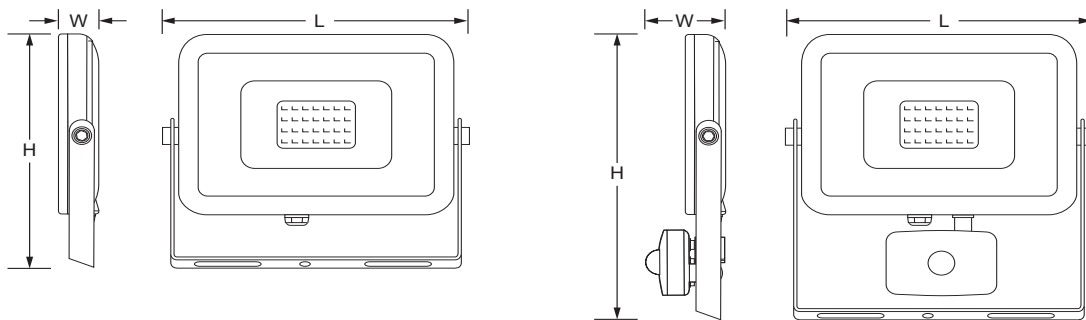
Problem	Possible Cause	Possible Resolution
Light remains permanently on	Moving source being detected.	Remove unwanted source. If unable to resolve, reposition the sensor head (horizontally and vertically). The light should turn off after a time out. If the light remains on, call the Installer.

Note: Do not mount too close to air conditioner vents, flues, water fountains, sprinklers or pet doors.

Product Specification

Parameter	TPFLS10LED	TPFLS20LED	TPFLS50LED	TPFLS100LED	TPFLS20SENLED
Voltage Rating	240 V a.c., 50 Hz				
IP Rating	IP65			IP44	
Total Power Consumption	10 W	20 W	50 W	100 W	20 W
Beam Angle	100°				
Lumen Output	900 lm	1800 lm	4500 lm	9000 lm	1800 lm
Operating Temperature	-10 °C to +40 °C				
Operating Humidity	+10 to +95% RH, non-condensing				
Storage Temperature	-10 °C to +60 °C				
Storage Humidity	+10 to +95% RH, non-condensing				
Colour Rendering Index	> 70				
Colour Temperature	4000 K				
Lifespan (L70)	30,000 hours				
Dimensions L x W x H (mm) (see diagrams below)	116 x 27 x 86	166 x 29 x 122	210 x 33 x 155	357 x 45 x 260	166 x 29 x 122
Cord length	900 mm				
Sensor Detection Angle	N/A			120°	
Sensor Time Span	N/A			10 s to 10 mins	
Sensor Lux Level Range	N/A			10 lux to 2000 lux	
Sensor Sensitivity Range	N/A			5 m to 12 m	

Note: TPFLS20SENLED Floodlight does not have a sensor override function.



Warranty

For warranty information contact <https://www.schneider-electric.com.au/en/about-us/legal/terms-and-conditions.jsp>

CLIPSAL®

by Schneider Electric

Australia

Schneider Electric (Australia) Pty Ltd

Customer Care Australia: 1300 369 233

Email: customer care.au@schneider-electric.com

www.schneider-electric.com.au

F2837/01

New Zealand

Schneider Electric (NZ) Ltd

Customer Care NZ: 0800 652 999

After hours (NZ Only): 0800 735 4357

Email: sales@nz.schneider-electric.com

www.schneider-electric.com

clipsal.com



Schneider Electric reserves the right to change specifications, modify designs and discontinue items without incurring obligation and whilst every effort is made to ensure that descriptions, specifications and other information in this catalogue are correct, no warranty is given in respect thereof and the company shall not be liable for any error therein.

© Schneider Electric 2017

This material is copyright under Australian and international laws. Except as permitted under the relevant law, no part of this work may be reproduced by any process without prior written permission of and acknowledgement to Schneider Electric. Schneider Electric acknowledges that the Australian Standard Certified Product logo is a trademark of SAI Global.

September 2017