

Wall Exhaust Fan

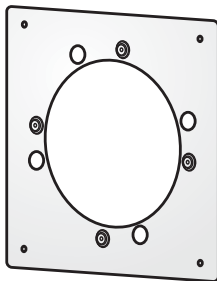
Adaptor Kit

N134/06

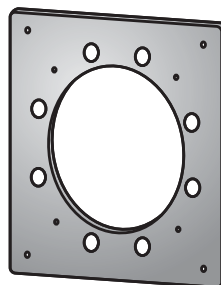
Installation Instructions

Thank you for purchasing this Clipsal Wall Exhaust Fan, Adaptor Kit. You can be assured years of trouble free operation by installing your adaptor kit carefully and according to these instructions. Please read all the instructions before commencing, then complete each step in order.

Included in this bag



Metal Plate



Rubber Gasket

Bag of
Screws

Replacing an existing 7106A/7108A with a 7006A/7008A Exhaust Fan

1. An electrician must disconnect the power from the existing unit.
2. Unscrew and remove the exhaust fan unit from the internal wall ensuring the PVC sheet (cylinder) is kept in place on the grille outlet (external wall) (**FIG. A**).
3. Fasten the SP-7000/27 rubber gasket and wall plate (**FIG. B**) using the number eight screws supplied (optional).
4. Install and fasten the new exhaust fan (model 7006A or 7008A) to the metal plate with the number eight screws supplied (**FIG. C**).
5. Follow the installation instructions that came with the new fan to complete electrical connection and cover assembly.

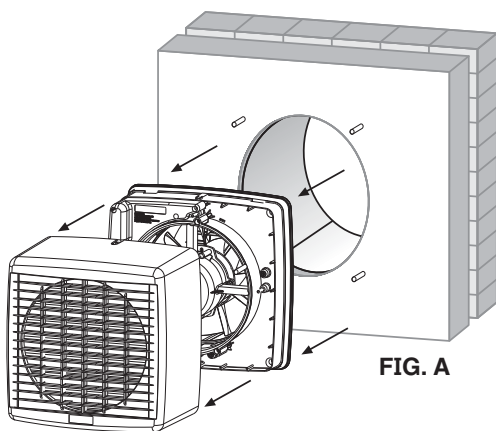


FIG. A

Please note:
The dimples on the metal plate **MUST** protrude outwards

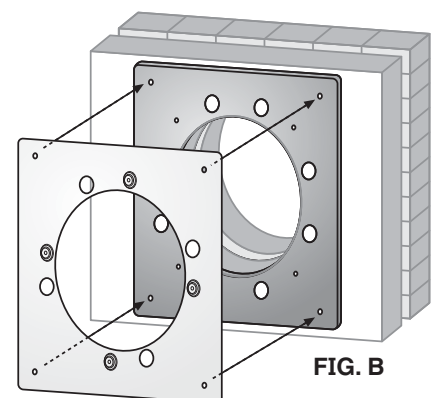


FIG. B

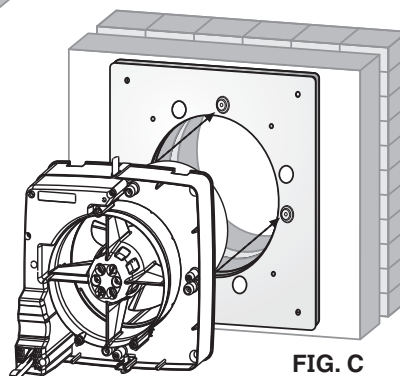


FIG. C

Installing an interim 7006A/7008A Exhaust Fan

1. Ensure the proposed location of the fan will not foul joists, existing wiring or other internal wall features (wall thickness between 110mm and 310mm).
2. Using the cut-out template below, mark and cut-out a 230mmØ hole.
3. Fasten the SP-7000/27 rubber gasket and wall plate (**FIG. A**) using the number eight screws supplied.
4. Install and fasten the new exhaust fan (model 7006A or 7008A) to the metal plate with the number eight screws supplied (**FIG. B**).
5. Follow the installation instructions that came with the new fan to complete electrical connection, mounting of grille and cover assembly.

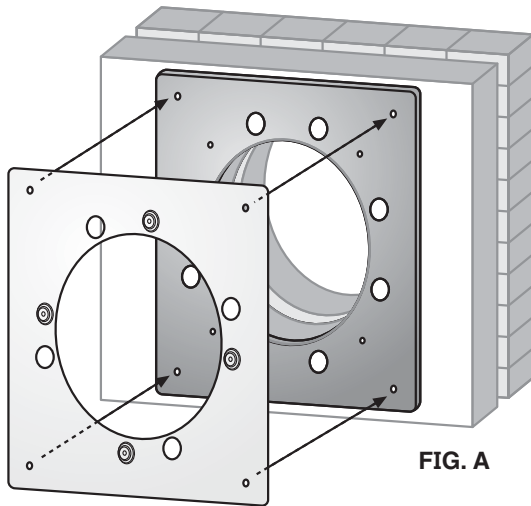


FIG. A

Please note:
The dimples on the metal plate **MUST** protrude outwards

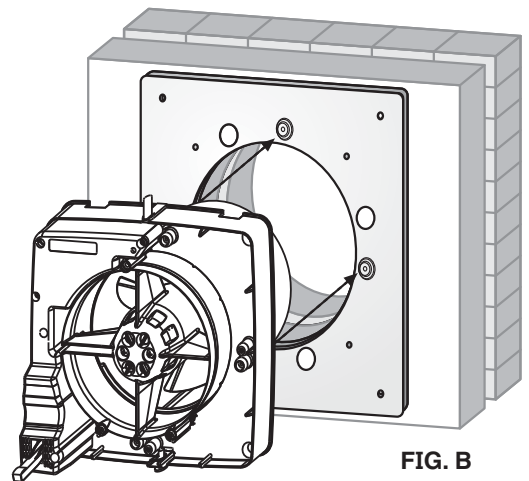
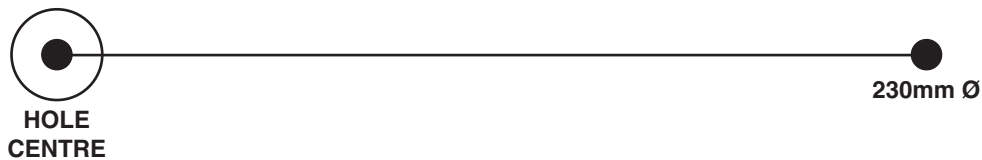


FIG. B

Hole cut-out template



Product of Clipsal Australia Pty Ltd
A member of Schneider Electric

Contact us clipsal.com/feedback

National Customer Care Enquiries:
Tel 1300 2025 25
Fax 1300 2025 56

F1991/02

clipsal.com

Clipsal Australia Pty Ltd reserves the right to change specifications, modify designs and discontinue items without incurring obligation and whilst every effort is made to ensure that descriptions, specifications and other information in this catalogue are correct, no warranty is given in respect thereof and the company shall not be liable for any error therein.

© Clipsal Australia Pty Ltd.

The identified trademarks and copyrights are the property of Clipsal Australia Pty Ltd unless otherwise noted.

CLIPCOM 19235 May 2009