



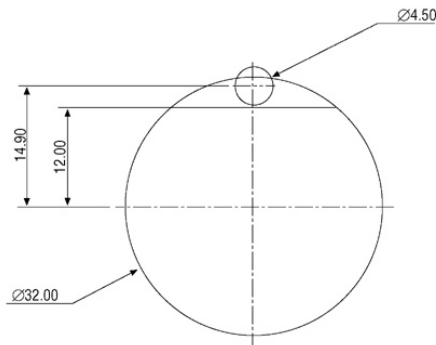
# PDL

## NEW PRODUCT DATA AND APPLICATION SHEET

CATALOGUE #	DESCRIPTION	BARCODE #
193-1	White 1-2.5mm 10A Skt	9416175173240
193-2	White 2-3.5mm 10A Skt	9416175173257
193/15-1	White 1-2.5mm 15A Skt	9416175173264
193/15-2	White 2-3.5mm 15A Skt	9416175173271
193/20-1	White 1-2.5mm 20A Skt	9416175173288
193/20-2	White 2-3.5mm 20A Skt	9416175173295
193R-1	White 1-2.5mm RE Skt	9416175173301
193R-2	White 2-3.5mm RE Skt	9416175173318

**DESCRIPTION** Panel Mount Socket

### CAT 193 CUT-OUT DIMENSIONS



**BOX QUANTITY** 20

**OUTER QUANTITY** 200

### FEATURES

Standard 10A, 15A, 20A or 10A Round Earth options available for two panel thicknesses.

Panel Thickness: 1-2mm & 2-3.5mm.

Fully compliant with AS/NZS3100 & AS/NZS3112

Large Terminal Holes: 5.6mm – Capable of taking 4x2.5mm<sup>2</sup>, 3x4mm<sup>2</sup> or 1x16mm<sup>2</sup> cable.

All terminals are backed off for immediate termination and angled for easy access.

Clearly Marked Terminals.

Sample Cut-out supplied.

Impact resistant mouldings used for long product life.

Rear fixing screw for improved aesthetics.

Rating: 230 - 240V ac, 50Hz.

**APPLICATIONS** Anywhere where panel mount installations are required