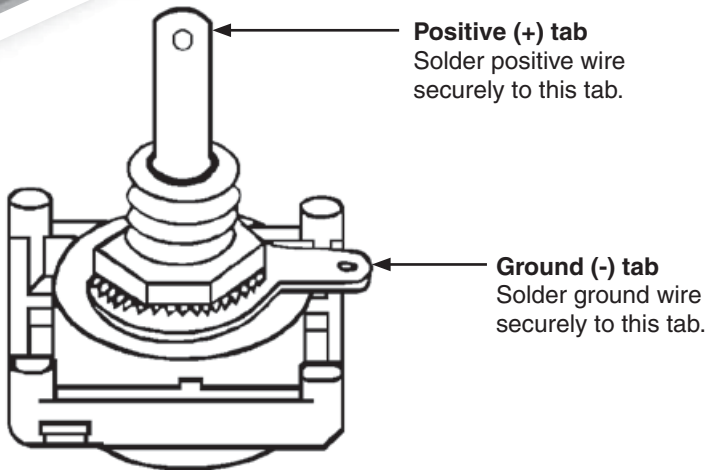


Audio Wallplate Series 30SPK

Installation Instructions

REGISTERED DESIGN • REGISTERED PATENT



Positive (+) tab
Solder positive wire
securely to this tab.

Ground (-) tab
Solder ground wire
securely to this tab.

Products Available

30SPK/2	Socket Mechs, Audio, Black and Red
32SPK	Socket Outlet, Twin Audio, STD PTN
2032SPK	Socket Outlet, Twin Audio, 2000 Series
C2032SPK	Socket Outlet, Twin Audio, C2000 Series
SC2032SPK	Socket Outlet, Twin Audio, SC2000 Series
SL2032SPK	Socket Outlet, Twin Audio, SL2000 Series

Suits all 30 Series Modular Apertures.

Important: Do not overheat when soldering.

Clipsal Australia Pty Ltd

A member of Schneider Electric

Contact us: clipsal.com/feedback

National Customer Care Enquiries:

Tel 1300 2025 25

Fax 1300 2025 56

clipsal.com

Clipsal Australia Pty Ltd reserves the right to change specifications, modify designs and discontinue items without incurring obligation and whilst every effort is made to ensure that descriptions, specifications and other information in this catalogue are correct, no warranty is given in respect thereof and the company shall not be liable for any error therein.

© Clipsal Australia Pty Ltd. The identified trademarks and copyrights are the property of Clipsal Australia Pty Ltd unless otherwise noted.