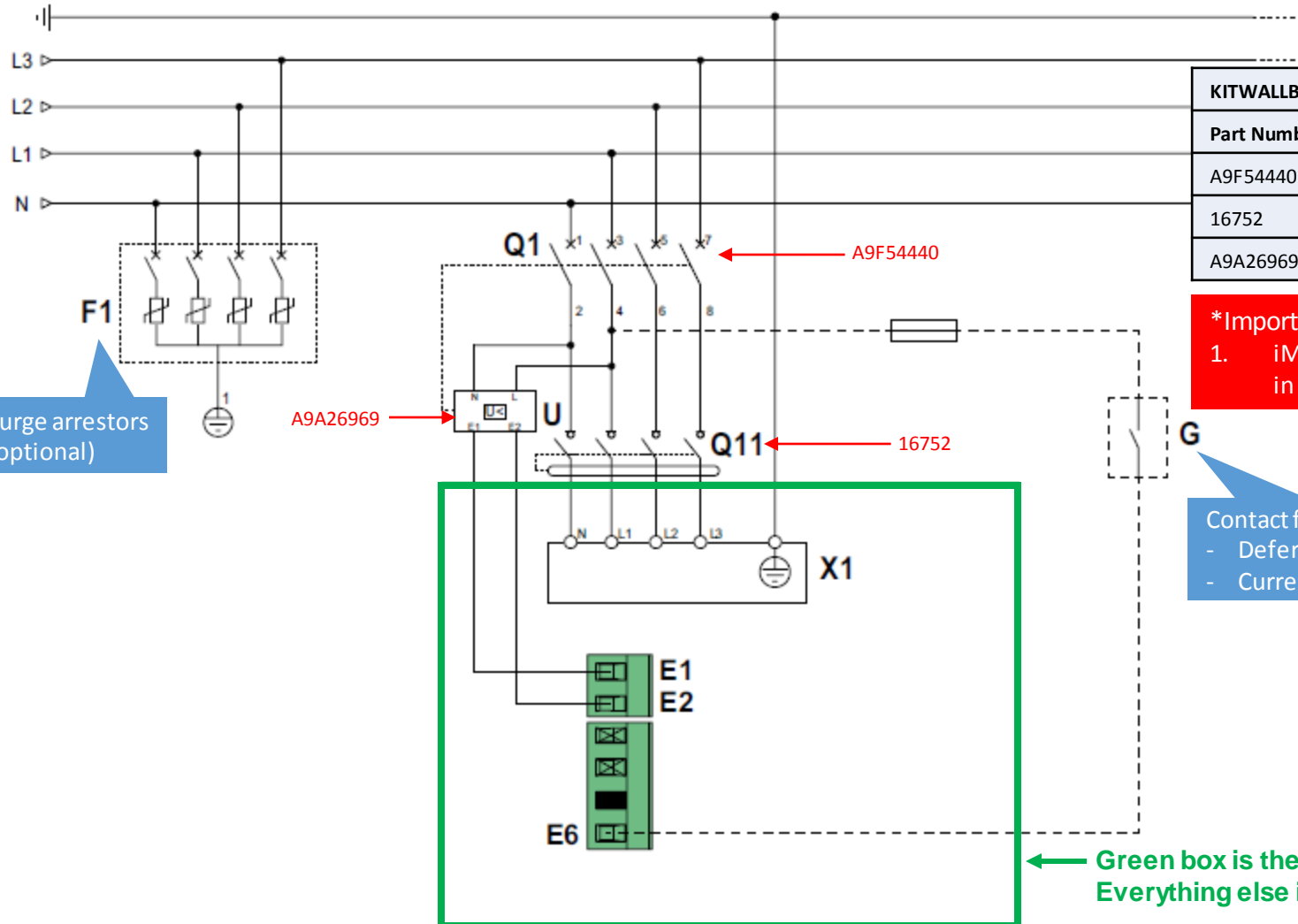


EVlink Wallbox and Smart Wallbox range 11 and 22.1 kW



Surge arrestors
(optional)

A9A26969

A9F54440

16752

KITWALLBOX22			
Part Number	Description	Qty	Notes
A9F54440	MCB, iC60H 4P 40A C Curve	1	Q1
16752	RCD, 4P 40A 30mA Type B	1	Q11
A9A26969	Under-voltage release, iMNX 220-240VAC	1	U<

***Important note:**
1. iMNX is required as part of a fail safe circuit in case of contactor failure in closed position.

Contact for:
- Deferred charging
- Current limiting

Green box is the EV charger.
Everything else is external to the unit.

EVlink Wallbox

