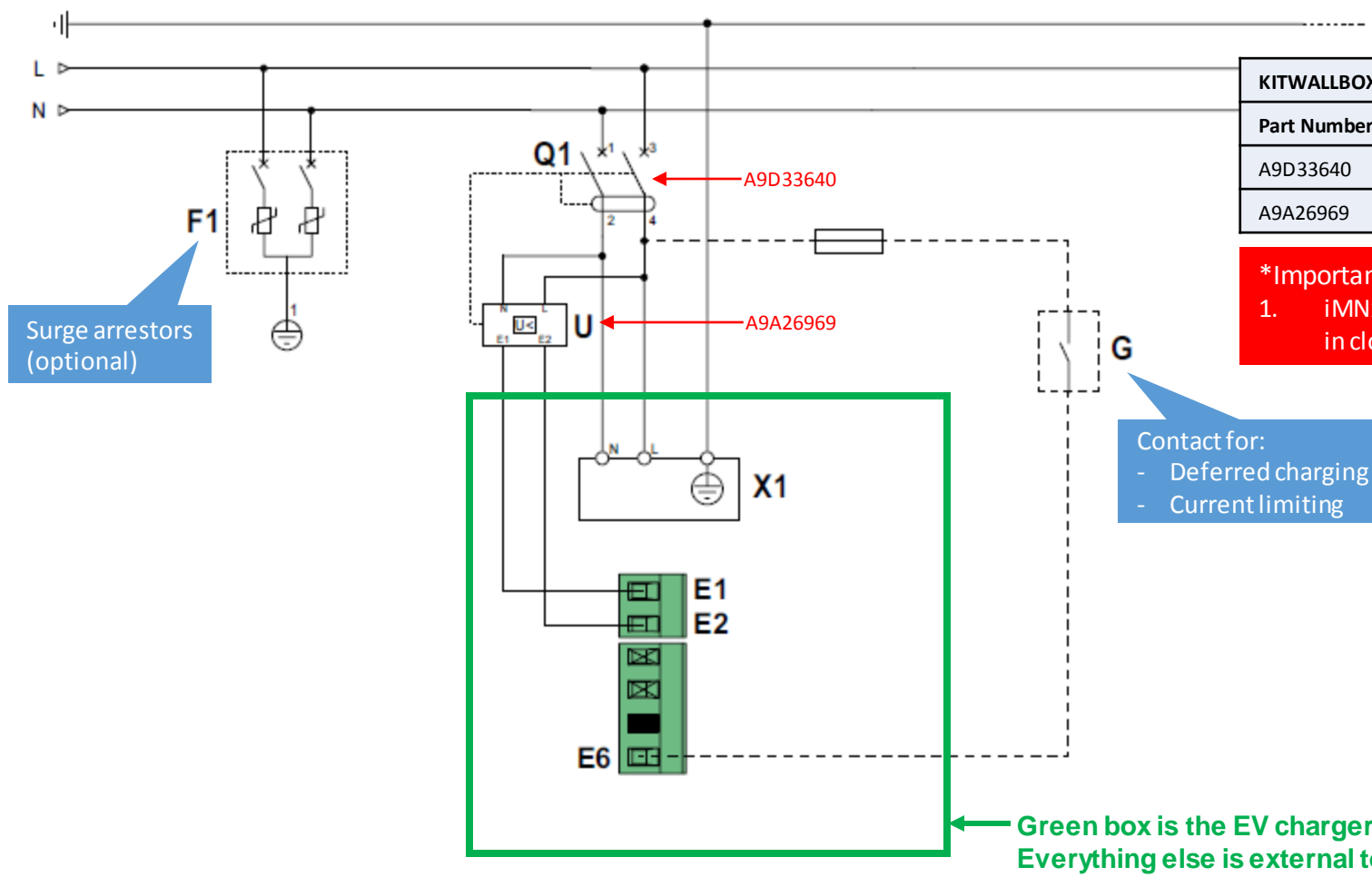


EVlink Wallbox and Smart Wallbox range

7.4 kW



KITWALLBOX7			
Part Number	Description	Qty	Notes
A9D33640	RCBO, iDPN N Vigi 40A 30mA Type As i	1	Q1
A9A26969	Under-voltage release, iMNx 220-240VAC	1	U<

***Important note:**

- iMNx is required as part of a fail safe circuit in case of contactor failure in closed position.

Contact for:

- Deferred charging
- Current limiting

EVlink Wallbox

