

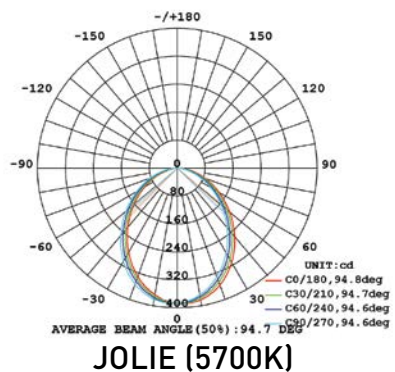
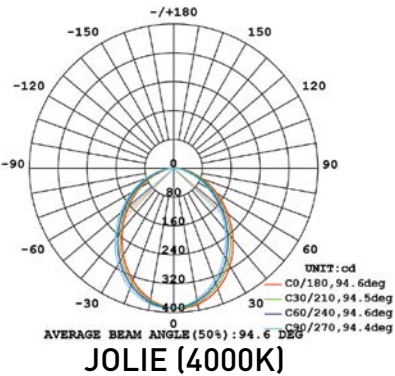
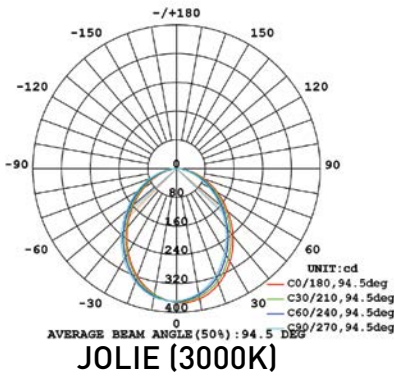
JOLIE / FLUSH LED DOWNLIGHT

FEATURES

- Colour-Change LED (3000K/4000K/5700K)
- Dimmable
- Internal Driver
- 3 Year Warranty



Luminous Intensity Distribution Diagrams



JOLIE

Efficacy	100lm/W
Lumen Output	860-900lm
Power	8W
IP Rating	IP54 (Front Only)
UGR	<29
Dimming	Dimmable
Color Temperature	3000K, 4000K, & 5700K
CRI	80+
Construction Material	PC
Operating Temperature	-25°C to +45°C
Input Voltage	200-240V AC
IC-F/ IC-4 Tested	Yes
Beam Angle	100°
Approvals & Certificates	SAA 160588
LED Lifetime	50,000hrs

FITTING DIMENSIONS

Diameter	Ø115mm
Depth	64mm
Cut-Out	Ø90-100mm

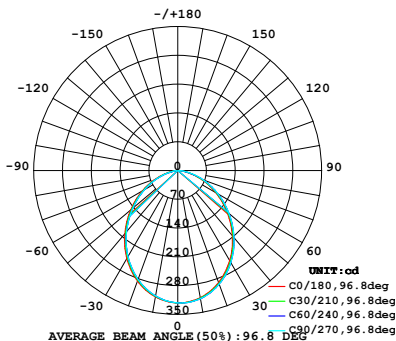
VE3CR / RECESSED LED DOWNLIGHT

FEATURES

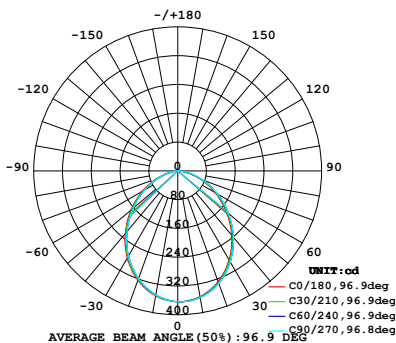
- Colour-Change LED (3000K/4000K/5700K)
- Dimmable
- Flex and plug included
- Internal Driver
- 3 Year Warranty



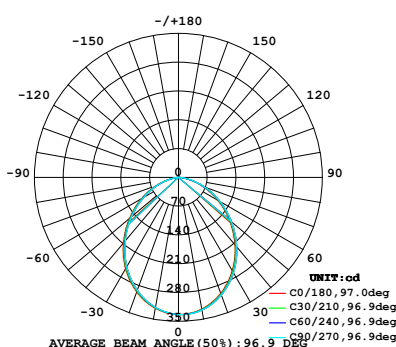
Luminous Intensity Distribution Diagrams



VE3CR (3000K)



VE3CR (4000K)



VE3CR (5700K)

VE3CR

Efficacy	100lm/W
Lumen Output	750-800lm
Power	8W
IP Rating	IP54 (Front Only)
UGR	<29
Dimming	Dimmable
Color Temperature	3000K, 4000K, & 5700K
CRI	80+
Construction Material	PC
Operating Temperature	-25°C to +45°C
Input Voltage	200-240V AC
IC-F/ IC-4 Tested	Yes
Beam Angle	90°
Approvals & Certificates	SAA for driver
LED Lifetime	50,000hrs

FITTING DIMENSIONS

Diameter	Ø115mm
Depth	64mm
Cut-Out	Ø90-100mm