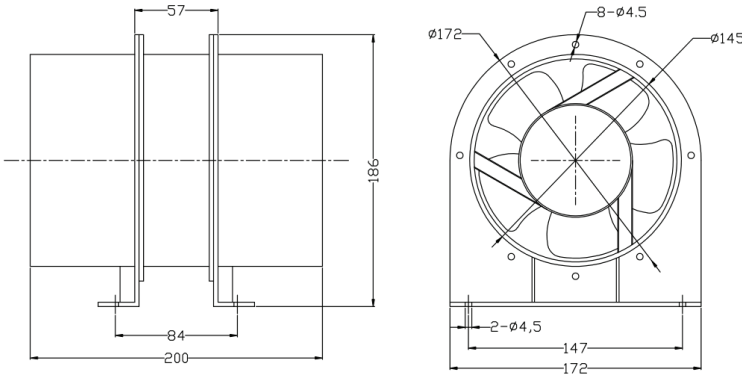


**Specification Sheet - VA150**



**Inline Fan Axial Fan**

Designed for use in bathroom and laundry extraction and general air movement applications.

|                             |  |
|-----------------------------|--|
| Motor Type                  | Shaded Pole                              |
| Net Weight                  | 1300g                                    |
| Rotation Direction          | CW                                       |
| Rated Voltage               | 220-240V 50Hz                            |
| Rated Current               | 0.26A                                    |
| Rated Input Power           | 36W                                      |
| Maximum Speed               | 2500R/min                                |
| Maximum Air Flow            | 323m <sup>3</sup> /h                     |
| Maximum Static Air Pressure | 86Pa                                     |
| Operating Temperature       | -20 to +70°C                             |
| Environment Humidity        | 10%(RH)45°C for 24 hours & 98% (RH) 45°C |
| MTBF                        | 30000H                                   |
| Temperature Protection      | Yes                                      |
| Lock Rotor Protection       | Manual Reset                             |
| Ingress Protection          | IPX2                                     |
| Climate Class               | T  |
| Soft Start                  | Yes                                      |
| Dielectric Strength         | 500VAC/60Hz 1min ≥5mA                    |
| Sound Level @ 3m            | 45dB                                     |

**Fan Pressure Curve**

