

# COMPLIANT AS A HOT WATER ISOLATOR

AS/NZS3000:2018

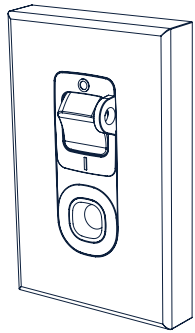
KITS COME  
PREWIRED &  
READY FOR  
FITTING

LOCKABLE

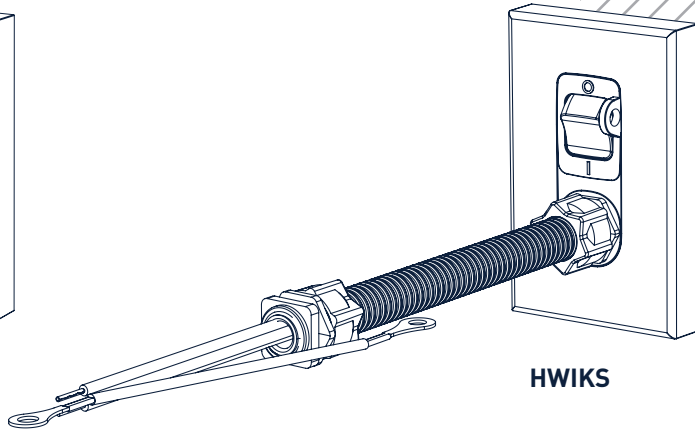


# VYNCO

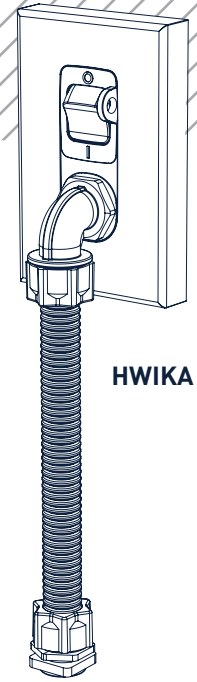
## HOT WATER ISOLATOR KIT RANGE



HWIPCU



HWIKS



HWIKA

# HWIPCU / HWIKS / HWIKA

- Supplied with 37mm Mounting Block
- Lockable feature
- Matches Home switchgear range aesthetic
- Kits come prewired and terminated, ready for immediate fitting
- Complies with AS/NZS3000:2018 as a Hot Water Isolator

CODE	DESCRIPTION	COVER PLATE SIZE
HWIPCU	HOT WATER PERMANENT CONNECTION ISOLATOR UNIT, 20A-LOCKABLE	115 x 74 x 16.5mm
HWIKS	HOT WATER ISOLATOR KIT, 20A-LOCKABLE	115 x 74 x 16.5mm
HWIKA	HOT WATER ISOLATOR KIT, ANGLED, 20A-LOCKABLE	115 x 74 x 16.5mm