

# 15A weatherproof single socket

Catalogue number:  
**WBWP115S**

## Specifications:

### Regulatory

- AS/ NZS 3112+A1+A2
- AS/NZS 3100:2009+A1+A2
- AS 60529-2004

### Electrical

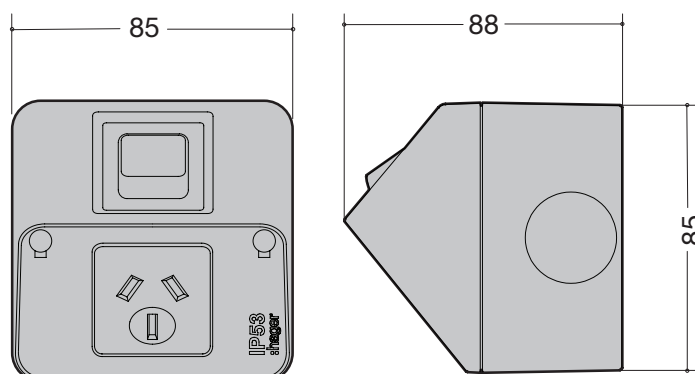
- 15A, 250V, 50Hz
- Single pole

### Mechanical

- External material  
UV stabilised polycarbonate
- Terminals accommodate  
3 x 2.5mm cable
- IP53

### Packaging

- Box qty 1
- Carton qty 18



Feature	Benefit
Mounting screws retained in cover	Screws will not fall out
Brass inserts in base	Cannot strip the thread
Deep conduit entry	Increased surface area allows for better sealing
Red 'on' marking	Easily identified
Recess around screw caps	Caps do not become trapped in screw head recess
UV stabilised PC material	Does not fade, high impact strength