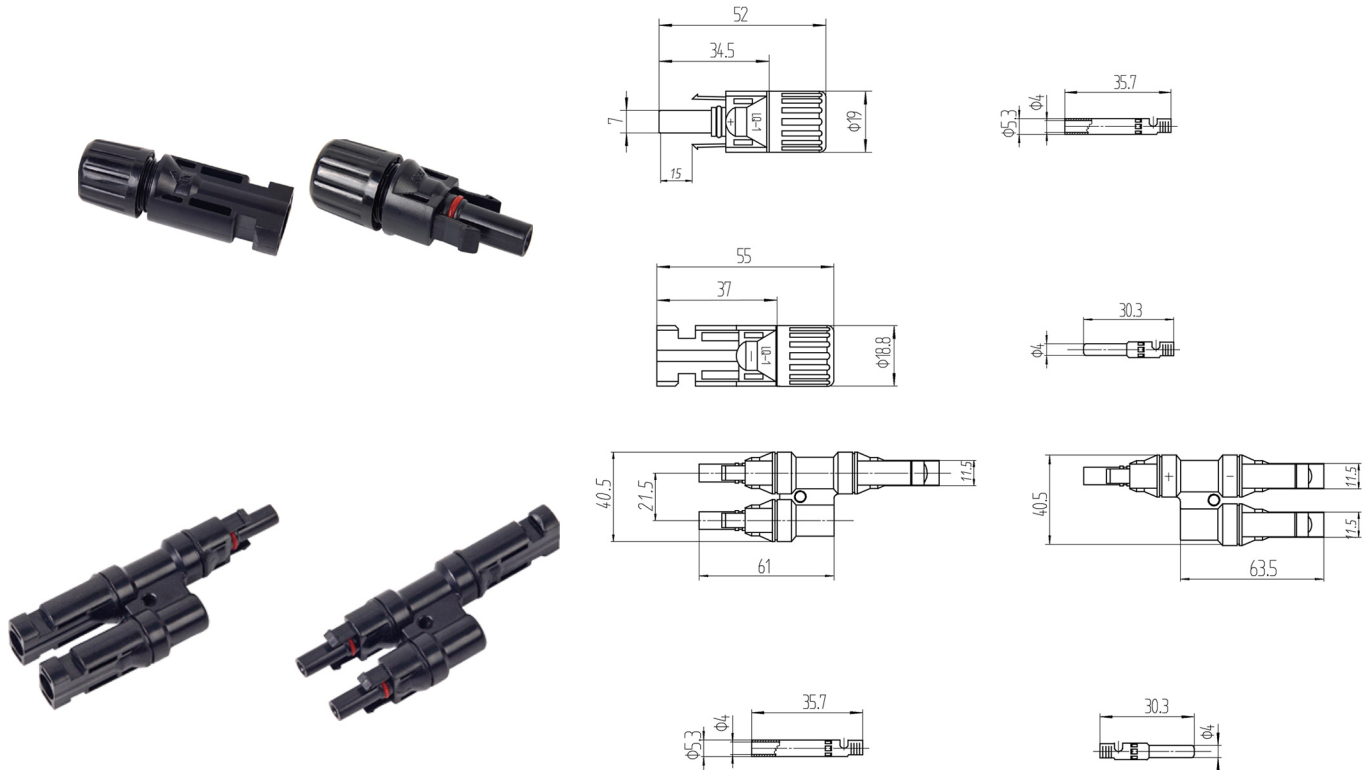


## MC4 CONNECTOR / MC4 T BRANCH



### Technical Specifications :

Rated Current: 45A/60A

Rated voltage: 1000V DC (IEC)  
600V DC (UL)

Ambient Temperature Range: -40°C...+90°C (IEC)  
-40°C...+40°C (UL)

Degree of Protection, Mated: IP65/IP67  
Unmated: IP2X

Contact Resistance of Plug Connectors: 0.5mΩ

Contact Material: Copper, Tin Plated

Insulation Material: TPE / PPO

Locking System Plug Connectors: Snap-in (nur/only MC4)

Flame Class: UL94-HB / UL94-V0

Safety Class: II

Contact System: MC Multilam

Type of Termination Crimpen: Crimping