

# Alco

## Non-Insulated Bootlace Terminals

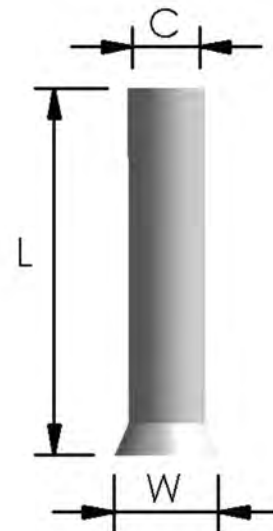
### FEATURES:

- Non-insulated electro grade copper bootlace terminals
- Provide precise terminations to multi-stranded cable
- Reduce the possibility of short-circuiting and ensure no strands stray
- Electro tinned finish for high conductivity
- Operating Temperature: +200°C

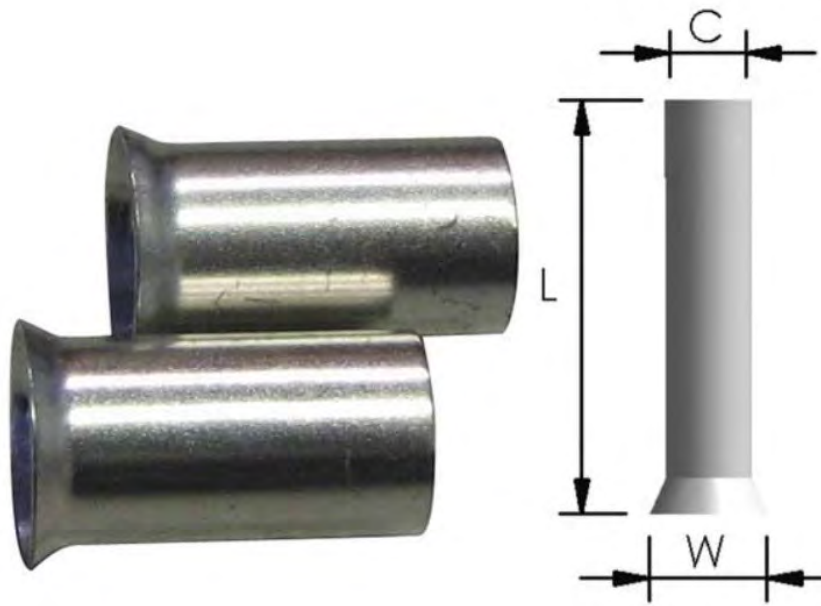


### SPECIFICATIONS:

PART NUMBER	CONDUCTOR SIZE (MM <sup>2</sup> )	DIMENSIONS (MM)			PACK QTY
		L	C	W	
ALCBLU0.5/100	0.5	8.0	1.0	2.1	100
ALCBLU0.75/100	0.75	8.0	1.2	2.3	100
ALCBLU1.0/100	1.0	10.0	1.4	2.5	100
ALCBLU1.5/100	1.5	10.0	1.7	2.8	100
ALCBLU2.5/100	2.5	10.0	2.2	3.4	100
ALCBLU4/100	4.0	12.0	2.8	4.0	100
ALCBLU6/100	6.0	12.0	3.5	4.7	100
ALCBLU10/100	10.0	12.0	4.5	5.8	100
ALCBLU16/100	16.0	12.0	5.8	7.5	100
ALCBLU25/50	25.0	18.0	7.3	9.5	50
ALCBLU35/50	35.0	18.0	8.3	11.0	50
ALCBLU50/10	50.0	20.0	10.3	13.0	10
ALCBLU70/10	70.0	25.0	13.5	15.3	10
ALCBLU95/5	95.0	32.0	14.7	16.6	5



[www.kleintoolsnz.com](http://www.kleintoolsnz.com)



Code	Description
ALCBLU0.5/100	BOOTLACE TERM NON-INS 0.5mm <sup>2</sup> x8mm PK100
ALCBLU0.75/100	BOOTLACE TERM NON-INS 0.75mm <sup>2</sup> x8mm PK100
ALCBLU1.0/100	BOOTLACE TERM NON-INS 1mm <sup>2</sup> x10mm PK100
ALCBLU1.5/100	BOOTLACE TERM NON-INS 1.5mm <sup>2</sup> x10mm PK100
ALCBLU2.5/100	BOOTLACE TERM NON-INS 2.5mm <sup>2</sup> x10mm PK100
ALCBLU4/100	BOOTLACE TERM NON-INS 4mm <sup>2</sup> x12mm PK100
ALCBLU6/100	BOOTLACE TERM NON-INS 6mm <sup>2</sup> x12mm PK100
ALCBLU10/100	BOOTLACE TERM NON-INS 10mm <sup>2</sup> x12mm PK100
ALCBLU16/100	BOOTLACE TERM NON-INS 16mm <sup>2</sup> x12mm PK100
ALCBLU25/50	BOOTLACE TERM NON-INS 25mm <sup>2</sup> x18mm PK50
ALCBLU35/50	BOOTLACE TERM NON-INS 35mm <sup>2</sup> x18mm PK50
ALCBLU50/10	BOOTLACE TERM NON-INS 50mm <sup>2</sup> x20mm PK10
ALCBLU70/10	BOOTLACE TERM NON-INS 70mm <sup>2</sup> x25mm PK10
ALCBLU95/5	BOOTLACE TERM NON-INS 95mm <sup>2</sup> x32mm PK5
ALCBLU120/5	BOOTLACE TERM NON-INS 120mm <sup>2</sup> x34mm PK5